**Ruggedized Shaft encoder, Absolute**

- Single turn resolution ≤ 10 bit
- Robust design
- Shock and vibration protected

**Encoder configuration**

Type	RSA
Model	506 Singleturn
Shaft type	$\varnothing 6$ mm with partial flat
Flange type	Synchro flange (63-type)
Power supply	5 Vdc
Output interface	Parallell Gray (SINK)
Absolute resolution	8 bit (256 positions per revolution)
Connection type	Cable
Connecting direction	Axial
Cable length	1.50 m

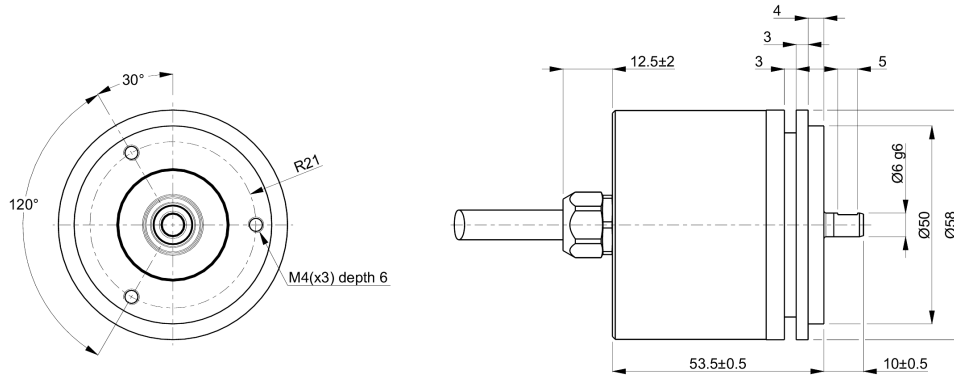
Mechanical data

Operating temperature	-40 °C...+80 °C
Ingress protection class [IEC 60529]	IP67 (IP66 at shaft inlet)
Vibration [IEC 60068-2-6]	≤ 300 m/s ²
Shock [IEC 60068-2-27]	≤ 2000 m/s ²
Shaft load (axial/radial)	50 N / 60 N
Rotational speed max	6000 rpm
Shaft material	Stainless steel
Cover material	Aluminium
Weight	300 g

Electrical data

Polarity protected	No
Short circuit protected	Yes
Current consumption	90 mA (Max. 100 mA)
Absolute accuracy	± 1 LSB

Dimensions



Supported functions

Code sequence, /Hold

Pin Configuration

Function	Colour
+E Volt	Red
0 Volt	Blue
Bit 1	White
Bit 2	Brown
Bit 3	Green
Bit 4	Yellow
Bit 5	Grey
Bit 6	Pink
Bit 7	Black
Bit 8	Violet
Bit /8	Grey/Pink
Code sequence	White/Yellow
/Hold	Brown/Yellow
Housing	Shield

Order information

Part number

1036305-01