**Ruggedized Shaft encoder, Absolute**

- Single turn resolution  $\leq 14$  bit
- Robust design
- Shock and vibration protected

**Encoder configuration**

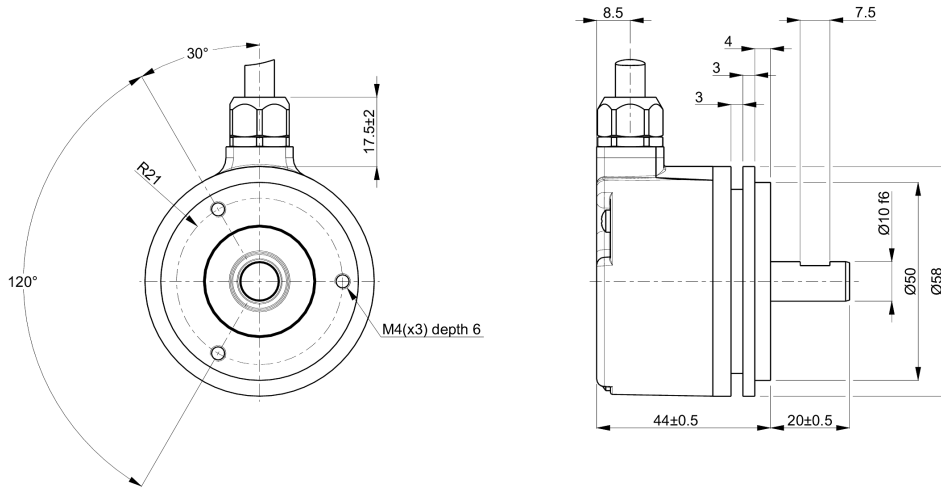
Type	RSA
Model	507 Singleturn
Shaft type	Ø10 mm with partial flat
Flange type	Synchro flange (63-type)
Power supply	5 Vdc
Output interface	SSI Gray
Absolute resolution	13 bit singleturn
Connection type	Cable
Connecting direction	Radial
Cable length	1.50 m

**Mechanical data**

Operating temperature	-40 °C...+80 °C
Ingress protection class [IEC 60529]	IP67/IP66 (Encoder body/Shaft inlet)
Vibration [IEC 60068-2-6]	$\leq 300$ m/s <sup>2</sup>
Shock [IEC 60068-2-27]	$\leq 2000$ m/s <sup>2</sup>
Shaft load (axial/radial)	50 / 60 N
Rotational speed max	6000 rpm
Shaft material	Stainless steel
Cover material	Aluminium
Weight	300 g

**Electrical data**

Polarity protected	No
Short circuit protected	Yes
Current consumption	100 mA (Max. 150 mA)
Cable length max	Frequency dependent
Absolute accuracy	$\pm 1$ LSB
Frequency range	100 kHz...1 MHz

**Dimensions****Supported functions**

Code sequence

**Pin Configuration**

Function	Color
Clock	Yellow
Clock inverted	Green
Data	White
Data inverted	Black
Hold	Brown
Code sequence	Violet
0 Volt	Blue
+E Volt	Red
Chassis	Shield

**Order information**

Part number	741918-01
-------------	-----------