

X-heavy duty Hollow shaft encoder, Incremental

- Heavy duty incremental encoder
- 6 short-circuit protected outputs
- 9-30 Vdc polarity protected power supply
- 4 programmable relays
- Programmable level: Standstill - 6000 rpm
- Overspeed, underspeed, standstill and direction



Encoder configuration

Code key description	862108461
Type	XHI
Model	862
Shaft type	Ø16 mm blind hollow shaft
Flange type	86-flange
Resolution	2048 ppr
Power supply	9-30 Vdc
Output signal	HTL
Connection type	2 x Cable gland
Connecting direction	Radial
Number of channels	6
Programmable overspeed	Yes

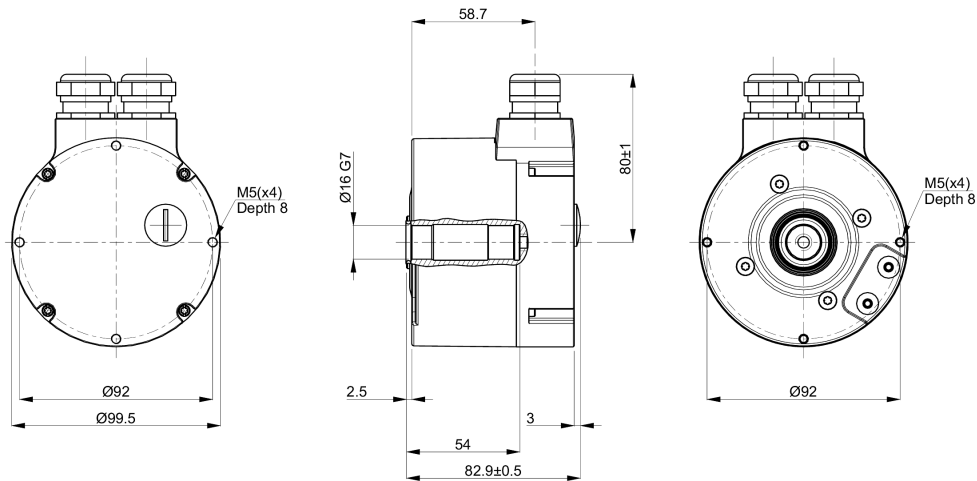
Mechanical data

Operating temperature	-40 °C...+100 °C
Ingress protection class [IEC 60529]	IP67 (IP66 at shaft inlet)
Vibration [IEC 60068-2-6]	≤ 20 g, 55-2000 Hz
Shock [IEC 60068-2-27]	≤ 400 g, 3.5 ms
Shaft load (axial/radial)	100 N / 300 N
Rotational speed max	6000 rpm
Shaft material	Stainless steel with insulated hybrid bearings
Cover material	Aluminium (coated)
Weight	1300 g
Cable gland dimension	M20 for Ø8-11 mm cables
Torque bracket	120 degrees orientation

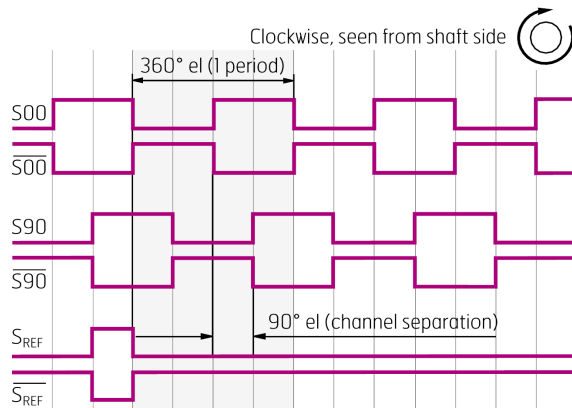
Electrical data

Polarity protected	Yes
Short circuit protected	Yes
Current consumption	60 mA at 24 Vdc (Max. 80 mA)
Incremental output load (max)	± 40 mA
Output frequency max	200 kHz
Cable length max	100 m at 100 kHz
Channel separation	90 °el ± 25 °el
Dividing error	± 50 °el
Programming interface	Mini - USB
Switching hysteresis	10 %
Switching voltage current	30 Vdc, max. 2 A
Switching speed range	Standstill - 6000 rpm
Number of switching speeds	4

Dimensions



Output signal



Pin Configuration

Function	Terminal
Sref inverted	1
Sref	2
S90 inverted	3
S90	4
S00 inverted	5
S00	6
0 Volt	7
+E Volt	8
R4+ (ALARM)	9
R4- (ALARM)	10
R3+	11
R3-	12
R2+	13
R2-	14
R1+	15
R1-	16

Order information

Part number	1128854-01
-------------	------------