



Compact Hollow shaft encoder, Incremental

- Robust encoder in compact design
- Total build length 55 mm
- Through-going hollow shaft with insulated peek insert



Encoder configuration

Type	CHI
Model	703
Shaft type	Ø25 mm through-going hollow shaft
Flange type	87-flange
Resolution	1024 ppr
Power supply	5-30 Vdc
Output signal	HTL
Connection type	Cable
Connecting direction	Radial
Cable length	2.00 m
Torque support	Tether arm with insulated peek insert
Number of channels	6

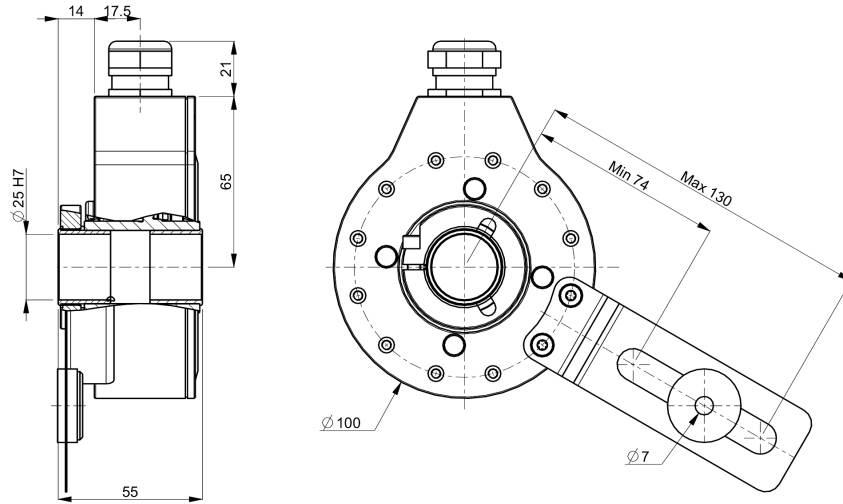
Mechanical data

Operating temperature	-40 °C...+100 °C
Ingress protection class [IEC 60529]	IP67 (IP66 at shaft inlet)
Vibration [IEC 60068-2-6]	≤ 200 m/s ²
Shock [IEC 60068-2-27]	≤ 1500 m/s ²
Shaft load (axial/radial)	50 N / 100 N
Rotational speed max	6000 rpm
Shaft material	Stainless steel with insulated peek insert
Cover material	Aluminium (anodized)
Weight	1000 g

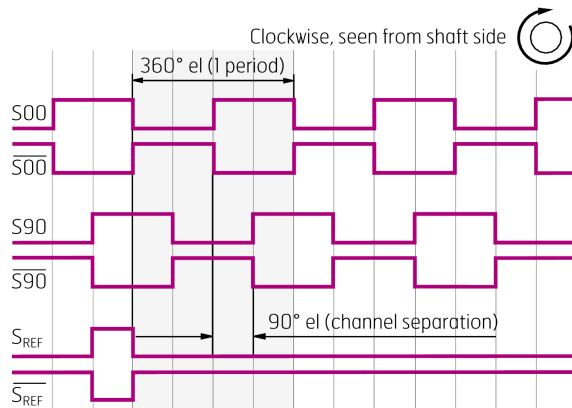
Electrical data

Cable gland dimension	M20 for Ø8-11 mm cables
Polarity protected	Yes
Short circuit protected	Yes
Current consumption	60 mA at 24 Vdc (Max. 80 mA)
Incremental output load (max)	± 40 mA
Output frequency max	200 kHz
Cable length max	100 m at 100 kHz
Channel separation	90 °el ± 25 °el
Dividing error	± 50 °el

Dimensions



Output signal



Pin Configuration

Function	Pin
S90	Green
S90 inverted	White
S00 inverted	Black
S00	Yellow
+E Volt	Red
0 Volt	Blue
Sref	Brown
Sref inverted	Violet
Status	Grey
Chassis	Shield

Order information

Part number	1079944-01
-------------	------------