**Inductive Shaft encoder, Absolute**

- 58mm diameter
- Extremely robust design
- Shock and vibration protected
- Inductive scanning

**Encoder configuration**

Type	ISA
Model	608 Multiturn
Shaft type	Ø10 mm shaft with face
Flange type	Clamping flange (61sp-type)
Power supply	9-36 Vdc
Output interface	CANopen
Absolute resolution	25 bit (13 bit singleturn + 12 bit multiturn)
Connection type	Cable gland
Connecting direction	Radial

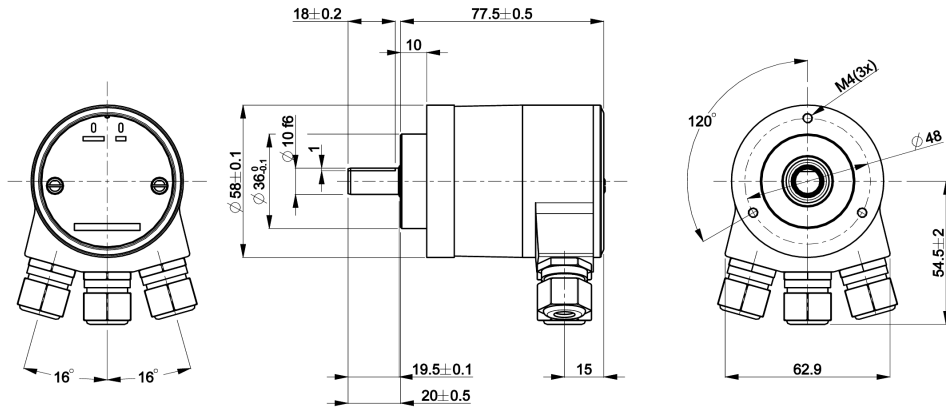
Mechanical data

Operating temperature	-40 °C...+70 °C
Ingress protection class [IEC 60529]	IP67
Vibration [IEC 60068-2-6]	≤ 300 m/s ²
Shock [IEC 60068-2-27]	≤ 2000 m/s ²
Shaft load (axial/radial)	100 / 125 N
Rotational speed max	12000 rpm
Shaft material	Stainless steel
Cover material	Aluminium (anodized)
Weight	430 g

Electrical data

Polarity protected	Yes
Current consumption	90 mA at 24 Vdc
Absolute accuracy	± 180 arcsec
Supported profile	Encoder profile DS406 v.3,2
Node adress	Settable via DIP switches, 0...99
Baud rate	Settable via switch, max. 1 Mbit/s

Dimensions



Supported functions

Preset, Scaling, Code sequence, Velocity, Acceleration, PDO mapping, Heartbeat, Node Guarding

Pin Configuration

Function	Terminal
+E Volt	1 (+)
0 Volt	2 (-)
CAN_H	3 (H)
CAN_L	4 (L)
CAN_GND	5 (G)
CAN_GND	6 (G)
CAN_L	7 (L)
CAN_H	8 (H)

Order information

Part number 1034515-01