**Premium absolute hollow shaft encoder**

- 99,5mm diameter
- Extremely robust design
- Shock and vibration protected Inductive scanning
- Hybrid bearings for extended lifetime
- Electrically insulated up to 2.5 kV

**Encoder configuration**

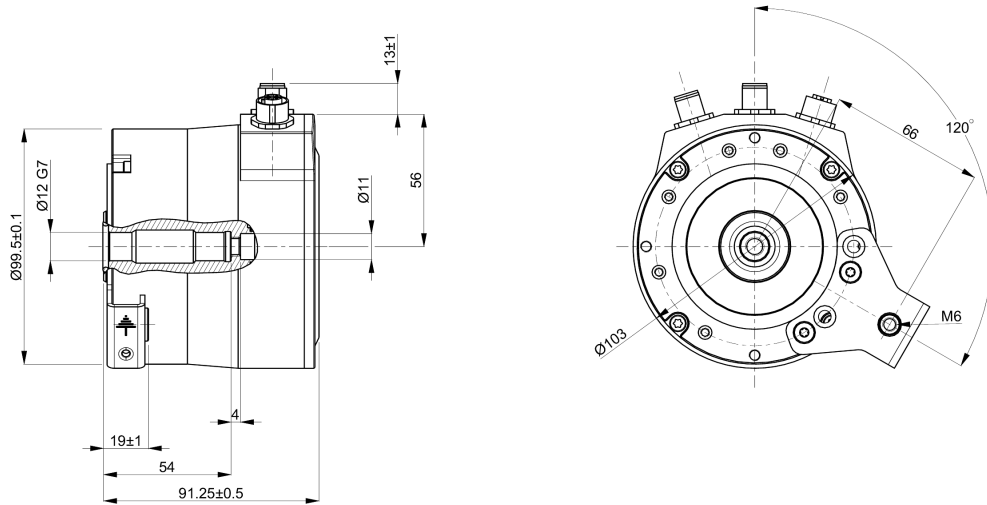
Type	PHE
Model	901
Shaft type	Ø12 mm blind hollow shaft
Flange type	86-flange
Output interface	PROFIBUS DP
Absolute resolution	19 bit singleturn
Connection type	3xM12 connectors
Connecting direction	Radial

Mechanical data

Operating temperature	-40 °C...+70 °C
Ingress protection class [IEC 60529]	IP67/IP66 (Encoder body/Shaft inlet)
Vibration [IEC 60068-2-6]	≤ 200 m/s ²
Shock [IEC 60068-2-27]	≤ 1500 m/s ²
Shaft load (axial/radial)	210 N / 420 N
Rotational speed max	6000 rpm
Shaft material	Stainless steel with insulated hybrid bearings
Cover material	Aluminium (anodized)
Weight	1700 g
Torque support	120° degrees torque bracket

Electrical data

Polarity protected	Yes
Current consumption	80 mA at 24 Vdc
Absolute accuracy	± 100 arcsec
Supported profile	Encoder profile 3.062 class 2
Node adress	Settable via DIP switches, 0...99
Baud rate	Max. 12 Mbit/s
Power supply	9...36 Vdc

Dimensions**Supported functions**

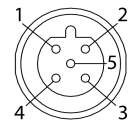
Preset, Scaling, Code sequence, Velocity (only DPVD class 2)

Pin Configuration

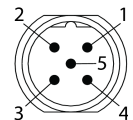
Function	Pin
----------	-----

M12 Bus out

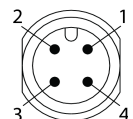
VP	1
A	2
DGND	3
B	4
Chassis	5

**M12 Bus in**

A	2
B	4
Chassis	5

**M12 power**

+E Volt	1
0 Volt	3

**Order information**

Part number	1101986-01
-------------	------------