**Premium absolute hollow shaft encoder**

- 99,5mm diameter
- Extremely robust design
- Shock and vibration protected
- Inductive scanning

**Encoder configuration**

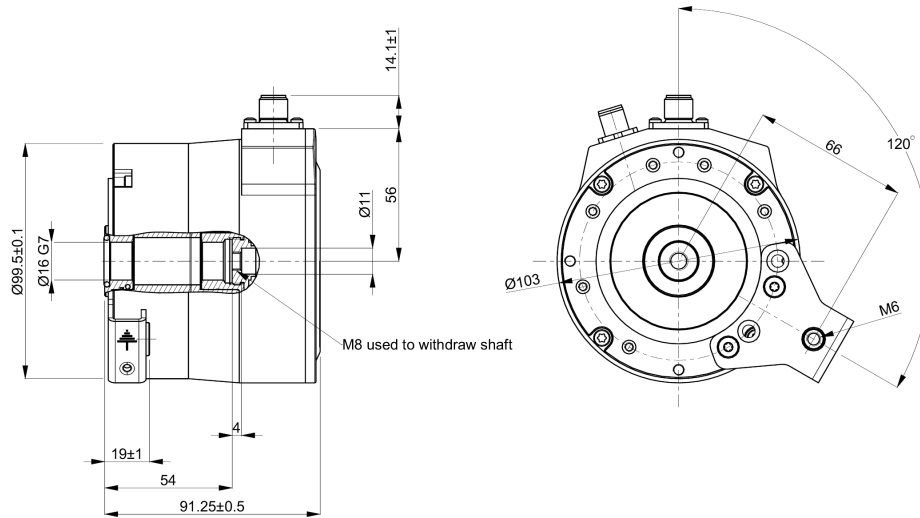
Type	PHE
Model	903
Shaft type	Ø16 mm blind hollow shaft
Flange type	86-flange
Output interface	DRIVE-CLiQ
Absolute resolution	19+15 bit Multiturn
Connection type	2xM12 connectors
Connecting direction	Radial

Mechanical data

Operating temperature	-20 °C...+85 °C
Ingress protection class [IEC 60529]	IP67/IP66 (Encoder body/Shaft inlet)
Vibration [IEC 60068-2-6]	≤ 200 m/s ²
Shock [IEC 60068-2-27]	≤ 1500 m/s ²
Shaft load (axial/radial)	210 / 420 N
Rotational speed max	6000 rpm
Shaft material	Stainless steel with insulated peek insert
Cover material	Aluminium (anodized)
Weight	1700 g
Torque support	120° degrees torque bracket

Electrical data

Polarity protected	Yes
Current consumption	100 mA at 24 Vdc
Absolute accuracy	± 100 arcsec
Power supply	9...36 Vdc

Dimensions**Supported functions**

For detailed commissioning information, please consult the Siemens document SINAMICS S120, Commissioning manual 01/21012.

Pin Configuration

Function	Pin
8 pin M12	
TX+	7
TX-	6
RX+	3
RX-	4
+E Volt	1
0 Volt	5
4 pin M12	
TEMP+	2
TEMP-	4

Order information

Part number	1034561-01
-------------	------------