**Premium absolute solid shaft encoder**

- 99,5mm diameter
- Extremely robust design
- Shock and vibration protected
- Inductive scanning

**Encoder configuration**

Type	PSE
Model	903
Shaft type	Ø11 mm with key nut
Flange type	Euro-flange (B10-type)
Output interface	PROFIBUS DP
Absolute resolution	31 bit (19 bit singleturn + 12 bit multiturn)
Connection type	3xM12 connectors
Connecting direction	Radial

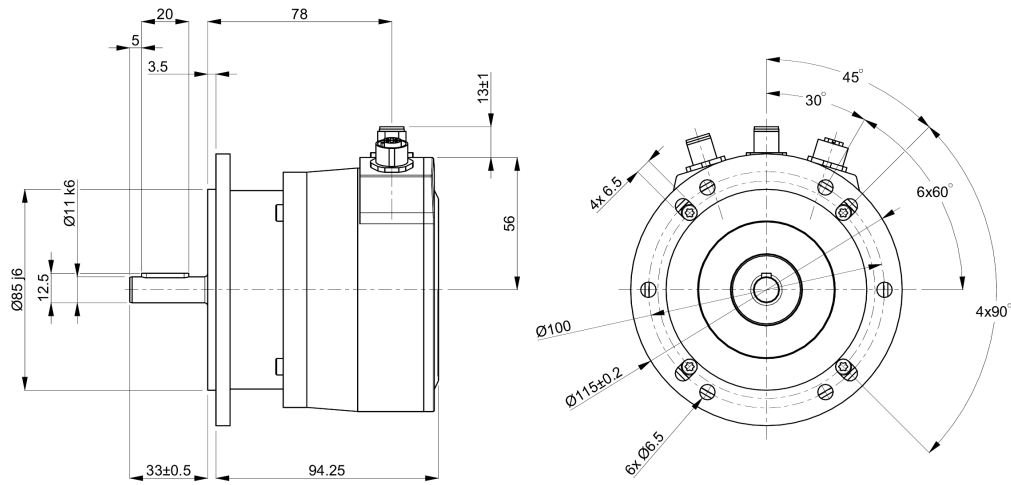
**Mechanical data**

Operating temperature	-40 °C...+70 °C
Ingress protection class [IEC 60529]	IP67/IP66 (Encoder body/Shaft inlet)
Vibration [IEC 60068-2-6]	≤ 200 m/s <sup>2</sup>
Shock [IEC 60068-2-27]	≤ 1500 m/s <sup>2</sup>
Shaft load (axial/radial)	210 / 280 N
Rotational speed max	6000 rpm
Shaft material	Stainless steel
Cover material	Aluminium (anodized)
Weight	1700 g

**Electrical data**

Polarity protected	Yes
Current consumption	80 mA at 24 Vdc
Absolute accuracy	± 100 arcsec
Supported profile	Encoder profile 3.062 class 2
Node address	Settable via DIP switches, 0...99
Baud rate	Max. 12 Mbit/s
Power supply	9...36 Vdc

## Dimensions

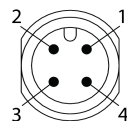
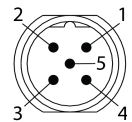
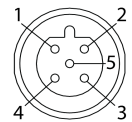


## Supported functions

Preset, Scaling, Code sequence, Velocity (only DPVD class 2)

## Pin Configuration

Function	Pin
<b>M12 Bus out</b>	
VP	1
A	2
DGND	3
B	4
Chassis	5
<b>M12 Bus in</b>	
A	2
B	4
Chassis	5
<b>M12 power</b>	
+E Volt	1
0 Volt	3



## Order information

Part number 1118605-01