**Ruggedized Hollow shaft encoder, Absolute**

- 58mm diameter
- Single turn resolution ≤ 10 bit
- Robust design
- Shock and vibration protected

**Encoder configuration**

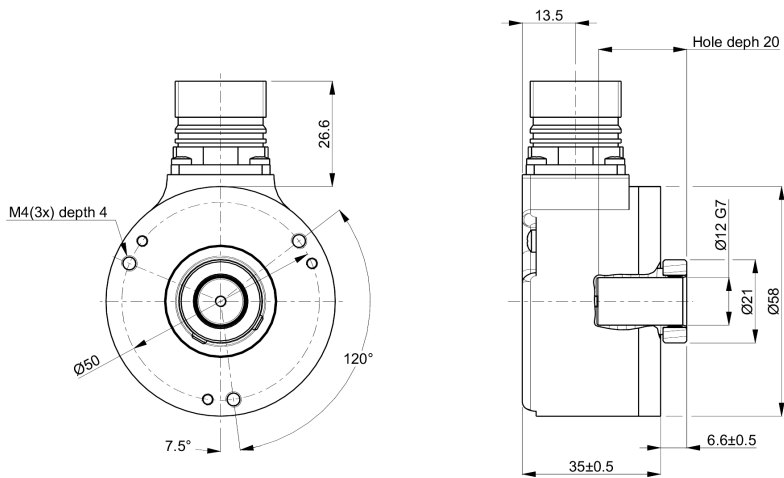
Type	RHA
Model	506 Singleturn
Shaft type	Ø12 mm blind hollow shaft
Flange type	56/57-flange
Power supply	9-30 Vdc
Output interface	Parallell Gray (SINK)
Absolute resolution	10 bit (1024 positions per revolution)
Connection type	M23 connector 12-pin
Connecting direction	Radial

Mechanical data

Operating temperature	-40 °C...+80 °C
Ingress protection class [IEC 60529]	IP67/IP66 (Encoder body/Shaft inlet)
Vibration [IEC 60068-2-6]	≤ 300 m/s ²
Shock [IEC 60068-2-27]	≤ 2000 m/s ²
Shaft load (axial/radial)	10 N / 20 N
Rotational speed max	6000 rpm
Shaft material	Stainless steel
Cover material	Aluminium
Weight	300 g

Electrical data

Polarity protected	Yes
Short circuit protected	Yes
Current consumption	40 mA at 24 Vdc (Max. 90 mA)
Absolute accuracy	± 1 LSB

Dimensions**Supported functions**

No supported functions

Pin Configuration**Order information**

Part number

1130219-01