**Ruggedized Hollow shaft encoder, Absolute**

- 58mm diameter
- Robust design
- Shock and vibration protected

**Encoder configuration**

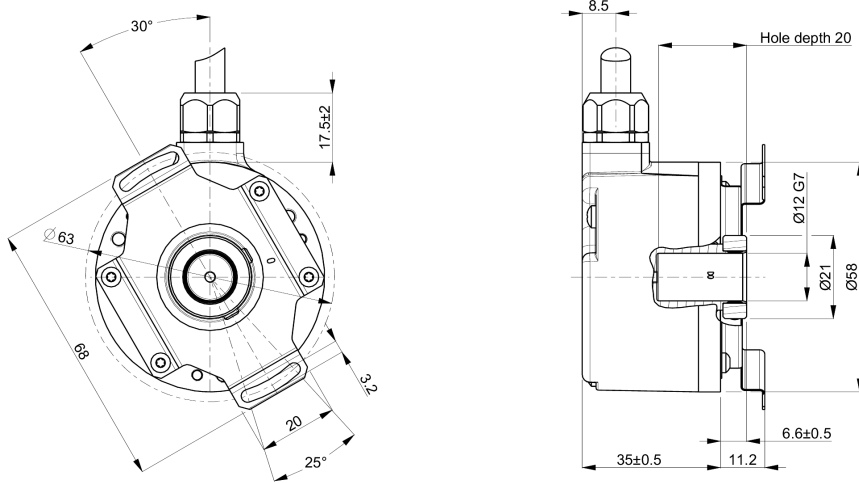
Type	RHA
Model	507 Singleturn
Shaft type	Ø12 mm blind hollow shaft
Flange type	58/59-flange with stator coupling
Power supply	9-36 Vdc
Output interface	CANopen
Absolute resolution	13 bit singleturn
Connection type	Cable
Connecting direction	Radial
Cable length	1.50 m

Mechanical data

Operating temperature	-40 °C...+80 °C
Ingress protection class [IEC 60529]	IP67/IP66 (Encoder body/Shaft inlet)
Vibration [IEC 60068-2-6]	≤ 300 m/s ²
Shock [IEC 60068-2-27]	≤ 2000 m/s ²
Shaft load (axial/radial)	10 / 20 N
Rotational speed max	6000 rpm
Shaft material	Stainless steel
Cover material	Aluminium
Weight	300 g

Electrical data

Polarity protected	Yes
Short circuit protected	Yes
Current consumption	100 mA at 24 Vdc (Max. 150 mA)
Absolute accuracy	±1 LSB
Supported profile	Encoder profile DS406 v2
Node address	Hardware or software adjustable
Code type	Binary
Baud rate	Max. 1 Mbit/s software adjustable (Default 125 kBit/s)

Dimensions**Supported functions**

Scaling, Preset, Code sequence, Heartbeat, Node Guarding

Pin Configuration

Function	Colour
Address bit 0	White
Address bit 1	Brown
Address bit 2	Grey
Address bit 3	Pink
Address 0V	Blue/Red
CAN_H	Green
CAN_L	Yellow
CAN_GND	Grey/Pink
+E Volt	Red
0 Volt	Blue
Chassis	Shield

Order information

Part number	622964-01
-------------	-----------