**Ruggedized Shaft encoder, Absolute**

- Single turn resolution ≤ 14 bit
- Robust design
- Shock and vibration protected

**Encoder configuration**

Type	RSA
Model	507 Singleturn
Shaft type	Ø6 mm round
Flange type	51-flange
Power supply	9-36 Vdc
Output interface	BiLL (Bi-directional master/slave protocol)
Absolute resolution	13 bit singleturn
Connection type	Cable
Connecting direction	Radial
Cable length	5.00 m

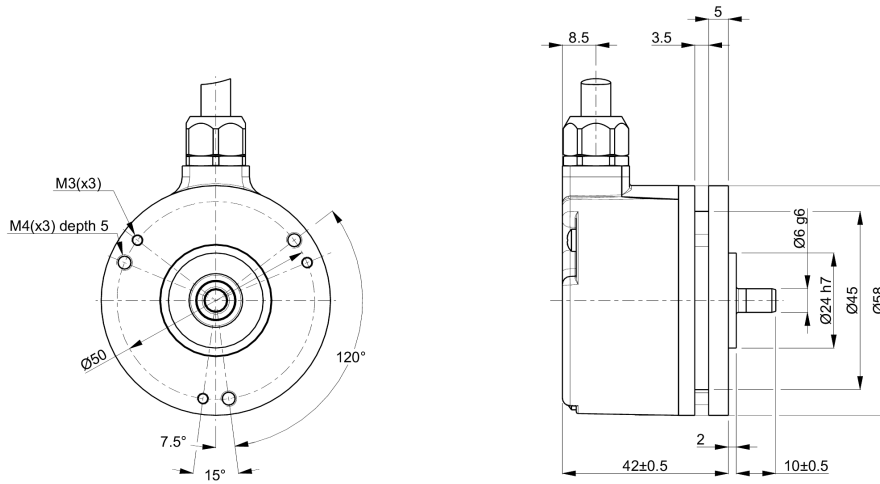
Mechanical data

Operating temperature	-40 °C...+80 °C
Ingress protection class [IEC 60529]	IP67/IP66 (Encoder body/Shaft inlet)
Vibration [IEC 60068-2-6]	≤ 300 m/s ²
Shock [IEC 60068-2-27]	≤ 2000 m/s ²
Shaft load (axial/radial)	50 / 60 N
Rotational speed max	6000 rpm
Shaft material	Stainless steel
Cover material	Aluminium
Weight	300 g

Electrical data

Polarity protected	Yes
Short circuit protected	Yes
Current consumption	100 mA at 24 Vdc
Absolute accuracy	± 1 LSB
Code type	Binary
Baud rate	4,8-38,4 kBit/s

Dimensions



Supported functions

Code sequence, Offset, Scaling, PRESET

Pin Configuration

Function	Colour
Address bit 0	White
Address bit 1	Brown
Address bit 2	Grey
Address bit 3	Pink
Address 0V	Blue/Red
+E Volt	Red
0 Volt	Blue
Data - / RS-485-A	Yellow
Data + / RS-485-B	Green
Chassis	Shield

Order information

Part number	746293-01
-------------	-----------