**Ruggedized Shaft encoder, Absolute**

- Single turn resolution ≤ 14 bit
- Robust design
- Shock and vibration protected

**Encoder configuration**

Type	RSA
Model	507 Singleturn
Shaft type	$\varnothing 6$ mm with partial flat
Flange type	Synchro flange (63-type)
Power supply	5 Vdc
Output interface	Parallell Gray TTL
Absolute resolution	13 bit singleturn
Connection type	Cable
Connecting direction	Radial
Cable length	2.00 m

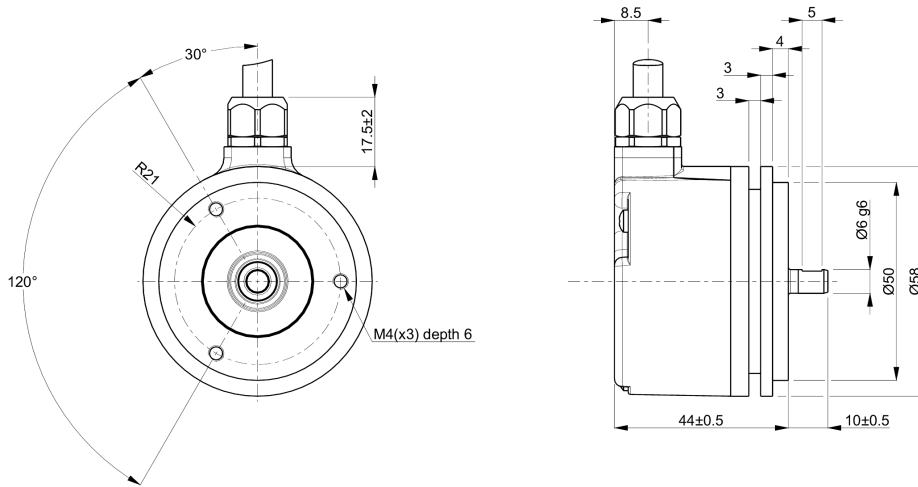
Mechanical data

Operating temperature	-40 °C...+80 °C
Ingress protection class [IEC 60529]	IP67/IP66 (Encoder body/Shaft inlet)
Vibration [IEC 60068-2-6]	≤ 300 m/s ²
Shock [IEC 60068-2-27]	≤ 2000 m/s ²
Shaft load (axial/radial)	50 / 60 N
Rotational speed max	6000 rpm
Shaft material	Stainless steel
Cover material	Aluminium
Weight	300 g

Electrical data

Polarity protected	No
Short circuit protected	Yes
Current consumption	100 mA (Max. 150 mA)
Cable length max	10 m
Absolute accuracy	± 1 LSB
Frequency range	0...200 kHz

Dimensions



Supported functions

Code sequence

Pin Configuration

Function	Colour
Bit 1	Brown/Yellow
Bit 2	Brown/Green
Bit 3	White/Green
Bit 4	Blue/Red
Bit 5	Grey/Pink
Bit 6	Violet
Bit 7	Black
Bit 8	Pink
Bit 9	Grey
Bit 10	Yellow
Bit 11	Green
Bit 12	Brown
Bit 13	White
0 Volt	Blue
+E Volt	Red
Code sequence	White/Yellow
Chassis	Shield

Order information

Part number	588347-01
-------------	-----------