

X-heavy duty Hollow shaft encoder, Incremental

- Performance hollow shaft encoder for heavy duty industries
- Hybrid bearings for extended lifetime
- High vibration and shock resistance
- Electrically insulated shaft; up to 2,5 kV



Encoder configuration

Type	XHI
Model	801 Extra robust
Shaft type	Ø12 mm blind hollow shaft
Flange type	86-flange
Resolution	2048 ppr
Power supply	9-30 Vdc
Output signal	HTL
Connection type	Cable
Connecting direction	Adjustable
Cable length	1.50 m
Number of channels	6
Torque support	120° degrees torque bracket
Cable gland dimension	M20 for Ø8-11 mm cables

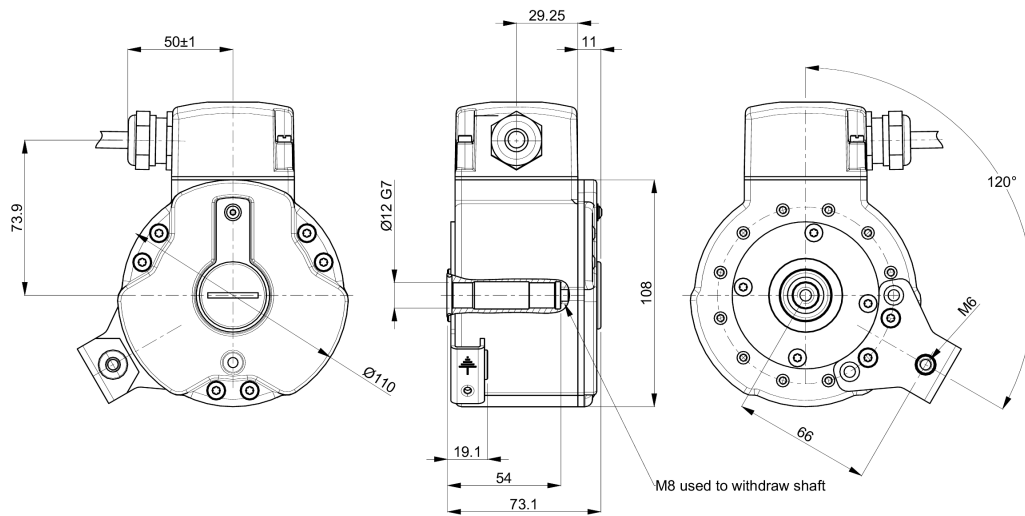
Mechanical data

Operating temperature	-40 °C...+100 °C
Ingress protection class [IEC 60529]	IP67 (IP66 at shaft inlet)
Vibration [IEC 60068-2-6]	≤ 20 g, 55-2000 Hz
Shock [IEC 60068-2-27]	≤ 400 g, 3.5 ms
Shaft load (axial/radial)	100 N / 300 N
Rotational speed max	6000 rpm
Shaft material	Stainless steel with insulated hybrid bearings
Cover material	Aluminium (anodized)
Weight	1400 g

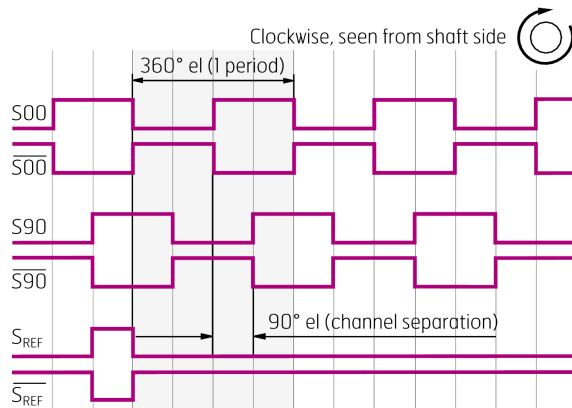
Electrical data

Polarity protected	Yes
Short circuit protected	Yes
Current consumption	60 mA at 24 Vdc (Max. 80 mA)
Incremental output load (max)	± 40 mA
Output frequency max	200 kHz
Cable length max	100 m at 100 kHz
Channel separation	90 °el ± 25 °el
Dividing error	± 50 °el
MTTFd value [Years]	383
PFHd value [h ⁻¹]	1,03E-06

Dimensions



Output signal



Pin Configuration

Function	Pin
S90	Green
S90 inverted	White
S00 inverted	Black
S00	Yellow
+E Volt	Red
0 Volt	Blue
Sref	Brown
Sref inverted	Violet
Status	Grey
Chassis	Shield

Available options

- Overvoltage protection
- Advanced Diagnostic System

Order information

Part number	801143-01
-------------	-----------